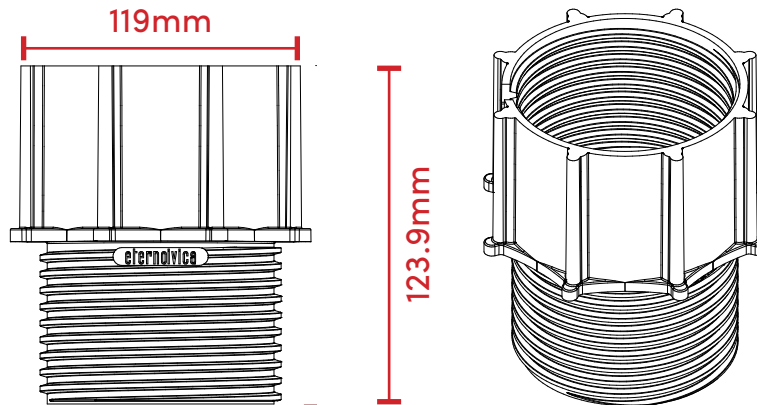




DATA SHEET

PEDESTAL EXTENSION

P1



TECHNICAL SPECIFICATION:

Supply and installation of extensions for raised floors type "Pedestal SE" adjustable in height. The extensions are composed of a body having both external and internal threads and are provided with anti-screwing locks. The total height is 123.9mm. This product must be combined with SE3-4-5 supports.

CHARACTERISTICS:

Double height adjustment
Anti-screwing safety lock

RAW MATERIAL:

Polypropylene

ENVIRONMENTAL IMPACT:

recyclable material - not dangerous

FIELD OF USE (ASSOCIATED SUPPORT):

SE3/SE4/SE5 Pedestal supports

GENERAL CHARACTERISTICS & PROPERTIES

	UNIT	VALUE	TOLERANCE +/-
EXTERNAL DIAMETER	mm	119	+/- 1.0
HEIGHT	mm	123.9	+/- 0.2
SHORE	Shore d	70	+/- 3
WEIGHT	Kg	0.22	+/- 0.05
FIRE REACTION*	UNI-EN 13501-1:2009	class E	
LOW T(°C) REACTION	°C	-40	

*Tests made by Giordano S.p.A. Institute of Bellaria-Igea Marina (RN)-Italy

EXTENSION COMPOSITIONS WITH SE SUPPORT

COD: E130125000		HEIGHT	PZ PER BOX
SE6	SE3 + 1 Extension P1	140-230mm	25+25
SE7	SE4 + 1 Extension P1	185-275mm	25+25
SE8	SE5 + 1 Extension P1	235-325mm	25+25
SE9	SE3 + 2 Extension P1	205-345mm	25+(2X25)
SE10	SE4 + 2 Extension P1	250-385mm	25+(2X25)
SE11	SE5 + 2 Extension P1	300-400mm	25+(2X25)
SE12	SE3 + 3 Extension P1	270-455mm	25+(3X25)
SE13	SE4 + 3 Extension P1	315-500mm	25+(3X25)
SE14	SE5 + 3 Extension P1	365-550mm	25+(3X25)

The packaging of the supports consists of cardboard boxes. The final packaging of the pallets is made with the wrapping of a polyethylene film. Indoor storage, protected from precipitation, is recommended.

INSTALLATION METHOD: The product is laid dry, without the need for adhesives or other types of fixings.

The above data are relevant to current production and may be changed or updated by Eterno Ivica at any time without notice. Given the many possible uses and the possible interference of external elements, we do not assume responsibility for the results. The buyer is required to establish under their own responsibility the suitability of the product for the intended use. This document is property of Eterno Ivica. All rights reserved.