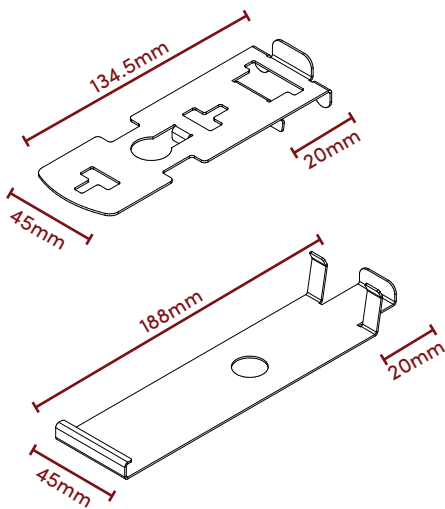




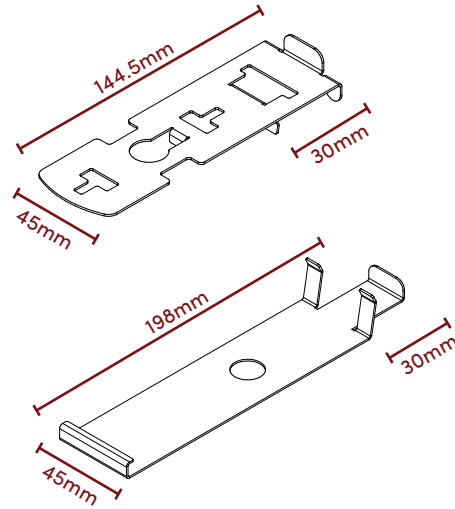
DATA SHEET

VERTICAL CLOSURE

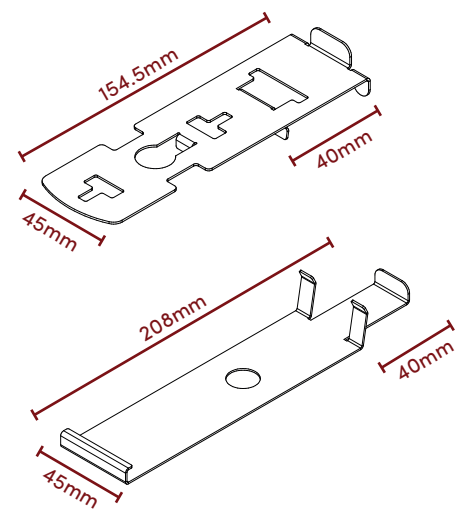
CLIP d.110



COD ART(110x20)
Head Clip: P021000425
Base Clip: P021000322



COD ART(110x30)
Head Clip: P021000426
Base Clip: P021000323



COD ART(110x40)
Head Clip: P021000427
Base Clip: P021000324

TECHNICAL SPECIFICATION

Supply and installation of non-structural elements for vertical infill system, in the perimeter areas of the raised floors, to ensure correct laying linearity and avoid slipping of the horizontal plates placed above them. The "basic vertical infill" clips must always be combined with the corresponding "vertical head infill" clips as they are complementary elements. These accessories are positioned without additional fixings respectively at the upper end (heads diameter 110mm) and lower (bases) of the Eterno Ivica supports. This system is also suitable for making steps.

RAW MATERIAL:

Inox AISI 304 2B

ENVIRONMENTAL IMPACT:

recyclable material - not dangerous

ADVANTAGES:

Quick realization of the free edges of the raised floors

Quick construction of steps

APPLICATION AREA (ASSOCIATED SUPPORT):

Accessory for Eterno Ivica supports

GENERAL CHARACTERISTICS & PROPERTIES

MECHANICAL & REOLOGICAL PROPERTIES	VALUE	UNIT	TOLERANCE
Head clip / Base clip Dimension (110X20)	134.5x45x25.5 / 188x45x24.2	mm	+/- 1.0mm
Head clip / Base clip Dimension (110X30)	144.5x45x25.5 / 198x45x24.2	mm	+/- 1.0mm
Head clip / Base clip Dimension (110X40)	154.5x45x25.5 / 208x45x24.2	mm	+/- 1.0mm
Head clip / Base clip Weight (110X20)	0.05 / 0.06	Kg	+/- 5%
Head clip / Base clip Weight (110X30)	0.05 / 0.07	Kg	+/- 5%
Head clip / Base clip Weight (110X40)	0.05 / 0.07	Kg	+/- 5%
Thickness	1.0	mm	+/- 5%
Hardness	85	HRB	+/- 1

The packaging of the supports consists of cardboard boxes. The final packaging of the pallets is made with the wrapping of a polyethylene film. Indoor storage, protected from precipitation, is recommended.

INSTALLATION METHOD: The product is laid dry, without the need for adhesives or other types of fixing.

The above data are relevant to current production and may be changed or updated by Eterno Ivica at any time without notice. Given the many possible uses and the possible interference of external elements, we do not assume responsibility for the results. The buyer is required to establish under their own responsibility the suitability of the product for the intended use. This document is property of Eterno Ivica. All rights reserved.