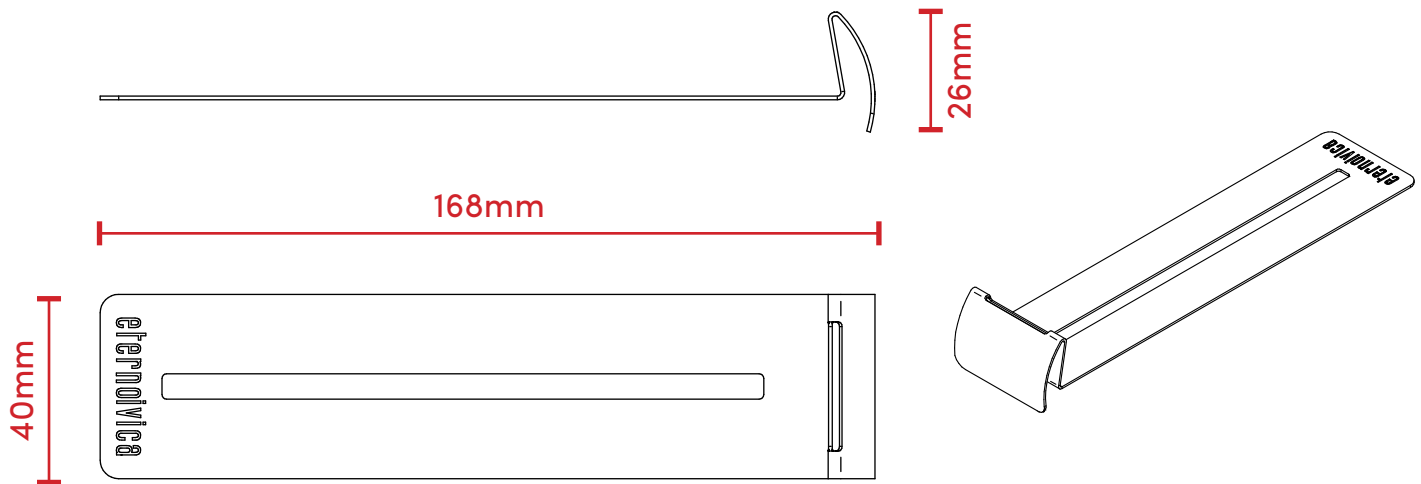




DATA SHEET

STAINLESS STEEL

PERIMETER SPACER



TECHNICAL SPECIFICATION

The stainless steel perimeter spacers allow the elegant and uniform spacing of the paving plates from the perimeter walls offering the maximum guarantee of stability by means of a hooking system to the supports that proves to be intuitive simple and effective. The clip creates a 1 cm joint between the flooring and the wall offering space for physiological stabilization of the plates. The special design of the clip allows the support to any vertical sheaths placed on the walls without compromising the seal with invasive berths and at the same time allows to adjust its position on the support head according to the positioning requirements of the same with respect to the edge.

RAW MATERIAL:

Stainless Steel AISI 301 CR

ENVIRONMENTAL IMPACT:

recyclable material - not dangerous

ADVANTAGES:

The clip distances the plate 1 cm from the wall
The clip can be placed on the sheath insulation while preserving its performance
Adjustment key always usable

FIELD OF USE (ASSOCIATED SUPPORT):

Accessory for Pedestal supports

GENERAL CHARACTERISTICS & PROPERTIES

<i>Cod:P021000220</i>	UNIT	VALUE	TOLERANCE +/-
Perimeter Spacer DIMENSION	mm	168x26x40	+/- 0.1
Perimeter Spacer WEIGHT	Kg	0.05	+/- 0.001
THICKNESS	mm	0.8	+/- 0.01
HARDNESS	HRB	85	+/- 1

PACKAGING: The Perimeter spacer are sold in boxes of N° 100pcs.

INSTALLATION METHOD: The product is laid dry, without the need for adhesives or other types of fixings.

The above data are relevant to current production and may be changed or updated by Eterno Ivica at any time without notice. Given the many possible uses and the possible interference of external elements, we do not assume responsibility for the results. The buyer is required to establish under their own responsibility the suitability of the product for the intended use. This document is property of Eterno Ivica. All rights reserved.