

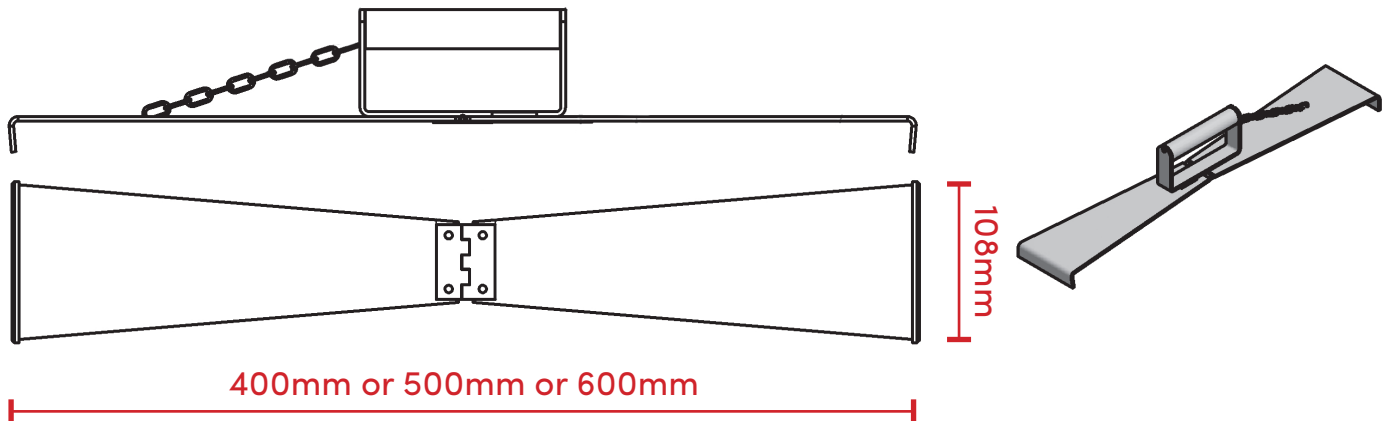


ACCESSORI

DATA SHEET LIFTING HANDLE

eternoivica | Eterno Ivica Srl
Via Austria 25/E
35127 Padova - Italy

SUPERIOR QUALITY FOR BUILDING



TECHNICAL SPECIFICATION

Supply of a special handle made with galvanized sheet metal for the installation and handling of plates placed on Eternoivica supports.

The lifting handle is composed of 2 metal elements 1.3mm thick joined by a hinge and bound by a metal chain. The handle is equipped with two lateral hooks that fit between the joints and allow you to lift even plates that have already been laid. The handle is sold in three versions to fit 400mm, 500mm and 600mm long plates respectively

RAW MATERIAL:

Galvanized Fe 360 sheet
Small galvanized metal parts regulated according to standards UNI 5721 and UNI 6592 100HV

ENVIRONMENTAL IMPACT:

recyclable material - not dangerous

ADVANTAGES:

Easy handling of paving slabs

GENERAL CHARACTERISTICS & PROPERTIES

	UNIT	VALUE	TOLERANCE +/-
Lifting handle DIMENSIONS (400mm)	mm	400X108	+/- 1
Lifting handle WEIGHT	Kg	1.6	+/- 0.1
Lifting handle DIMENSIONS (500mm)	mm	500X108	+/- 1
Lifting handle WEIGHT	Kg	1.6	+/- 0.1
Lifting handle DIMENSIONS (600mm)	mm	600X108	+/- 1
Lifting handle WEIGHT	Kg	1.6	+/- 0.1
Lifting handle THICKNESS	mm	1.3	+/- 0.1
LOAD AT BREAKAGE	R [N/mm ²]	235 (sheet thickness up to 2mm)	+/- 2
PERCENTAGE ELONGATION AFTER FRACTURE	A%	19 (sheet thickness up to 2mm)	+/-1

The values indicated show the data of the technical sheets received from the suppliers of raw materials, represent the average of a significant sample of the product and are provided to provide information to the user; they do not constitute a guarantee and generally do not imply any guarantee or commitment on the part of the Company. Eterno Ivica srl. It reserves the right to be able to constantly update this data by cross-referencing the data provided by the selected raw material suppliers.

ITEMS CHARACTERISTICS & PROPERTIES

COD.	DESCRIPTION	MEASURE	PCS. PER BOX
M030400400	400mm universal galvanized plate-laying handle	400(min375-MAX404) X108X100mm	1
M030500500	500mm universal galvanized plate-laying handle	500(min475-MAX504) X108X100mm	1
M030600600	600mm universal galvanized plate-laying handle	600(min575-MAX604) X108X100mm	1

RESISTANCE TO: Organic and inorganic chemicals such as oils, greases, fuels and solvents

The packaging of the supports consists of cardboard boxes. The final packaging of the pallets is made with the wrapping of a polyethylene film. Indoor storage, protected from precipitation, is recommended.

The above data are relevant to current production and may be changed or updated by Eterno Ivica at any time without notice. Given the many possible uses and the possible interference of external elements, we do not assume responsibility for the results. The buyer is required to establish under their own responsibility the suitability of the product for the intended use. This document is property of Eterno Ivica. All rights reserved.