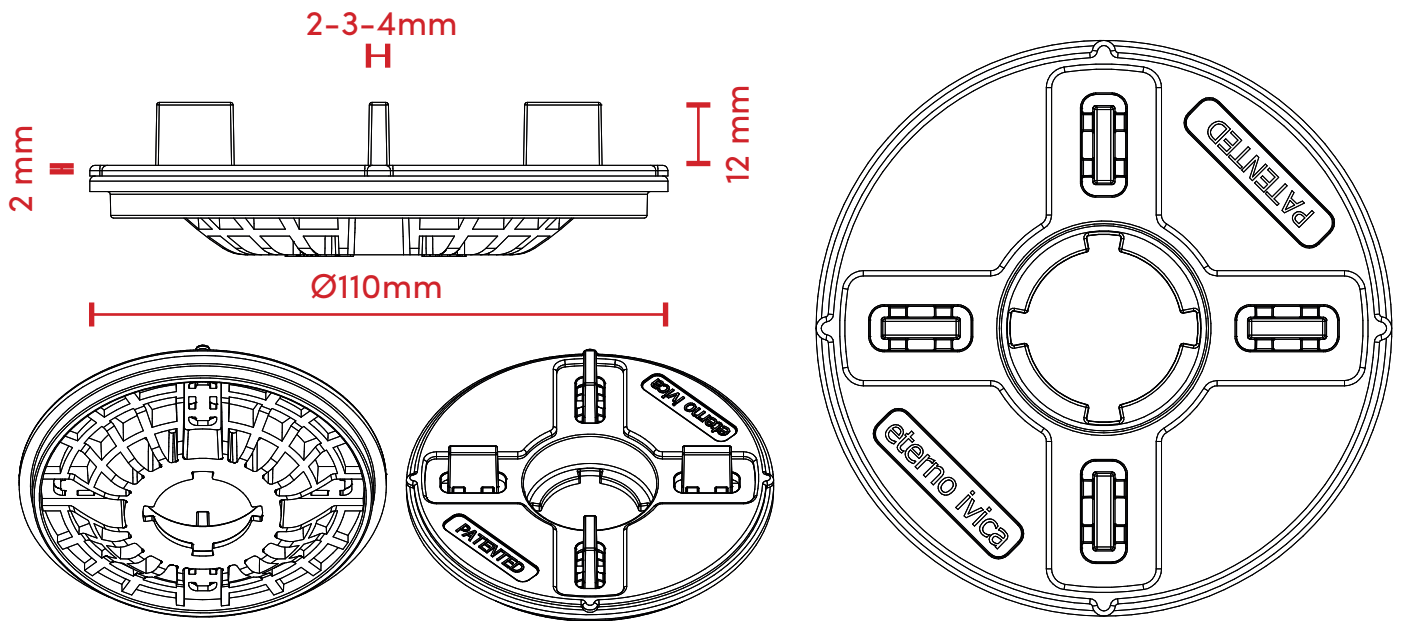


DATA SHEET

SE HEAD

DIAMETER 110mm



TECHNICAL SPECIFICATION

Supply of a bi-material head with anti-noise and anti-slip rubber finish to be installed on SE type supports.

Specifically, the accessory consists of a tilting head with a diameter of 110mm with N°4 spacer tabs with a thickness of either 2, 3 or 4mm and a height of 12mm easily removable if necessary.

These tabs allow to maintain a constant leakage measure between the plates. It is possible to gradually increase this measurement up to 10mm thanks to the accessory used to increase the thickness of it.

CHARACTERISTICS:

Bi-component self levelling head (PP and rubber)
Easy removable tabs
Without anti-rotation locks

RAW MATERIAL:

Polypropylene and rubber (head top finishing)

ENVIRONMENTAL IMPACT:

recyclable material - not dangerous

FIELD OF USE (ASSOCIATED SUPPORT):

Head for SE / SBPA / PRIME supports

GENERAL CHARACTERISTICS & PROPERTIES

COD ART: E035101204	UNIT	VALUE	TOLERANCE +/-
HEAD DIAMETER	mm	110	+/- 1.0
THICKNESS (PP)	mm	3	+/- 0.2
THICKNESS (RUBBER)	mm	2	+/- 0.2
WEIGHT	Kg	0.063	+/- 5 %
SHORE	Shore d	70	+/- 3
FIRE REACTION*	UNI-EN 13501-1:2009	CLASSE "E"	
LOW T(°C) REACTION	°C	-40	

*Tests made by Giordano S.p.A. Institute of Bellaria-Igea Marina (RN)-Italy

The above data are relevant to current production and may be changed or updated by Eterno Ivica at any time without notice. Given the many possible uses and the possible interference of external elements, we do not assume responsibility for the results. The buyer is required to establish under their own responsibility the suitability of the product for the intended use. This document is property of Eterno Ivica. All rights reserved.